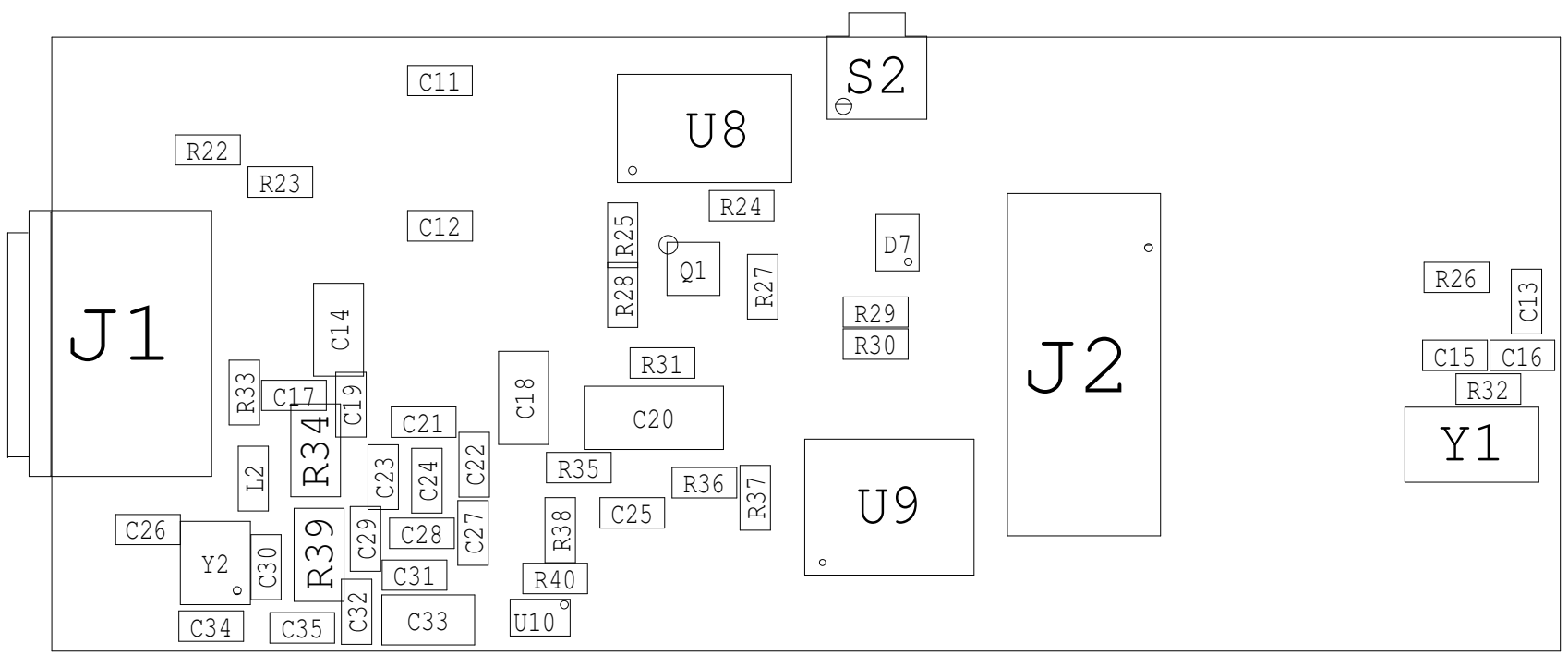


ASSEMBLY TOP SIDE



ASSEMBLY BOTTOM SIDE

APPROVED		MACNICA	
CHECKED	B. SPAUGH	ASSEMBLY DRAWING	
DRAFTING	C. ASHLEY	BLE AND SENSOR BOARD	
ENGR	B. SPAUGH	REV C	
DATE	09/22/2014	<small> TOLERANCES UNLESS OTHERWISE SPECIFIED X.XX ± 0.01 X.XXX ± 0.005 ANGLES ± 1/2° </small>	
DESIGN ENGR		SCALE	NONE
PROJECT ENGR		SHEET	1 OF 1
ENGR MGR		100-00001-C1	SIZE D
NEXT ASSEMBLY		DO NOT SCALE DRAWING	