

5

4

3

2

1

D

D

SFP+ FMC Card

PAGE DESCRIPTION

01	COVER PAGE ,TOP
02	FMC CONNECTOR ,LED ,TP
03	SFP CONNETOR

C

C

B

B

A

A

COVER PAGE ,TOP

Title		
SFP+ FMC Card		
Size ISO216 A3	Document Number DATA_000078	Rev A
Date: August 26th,2016	Sheet 1	of 3

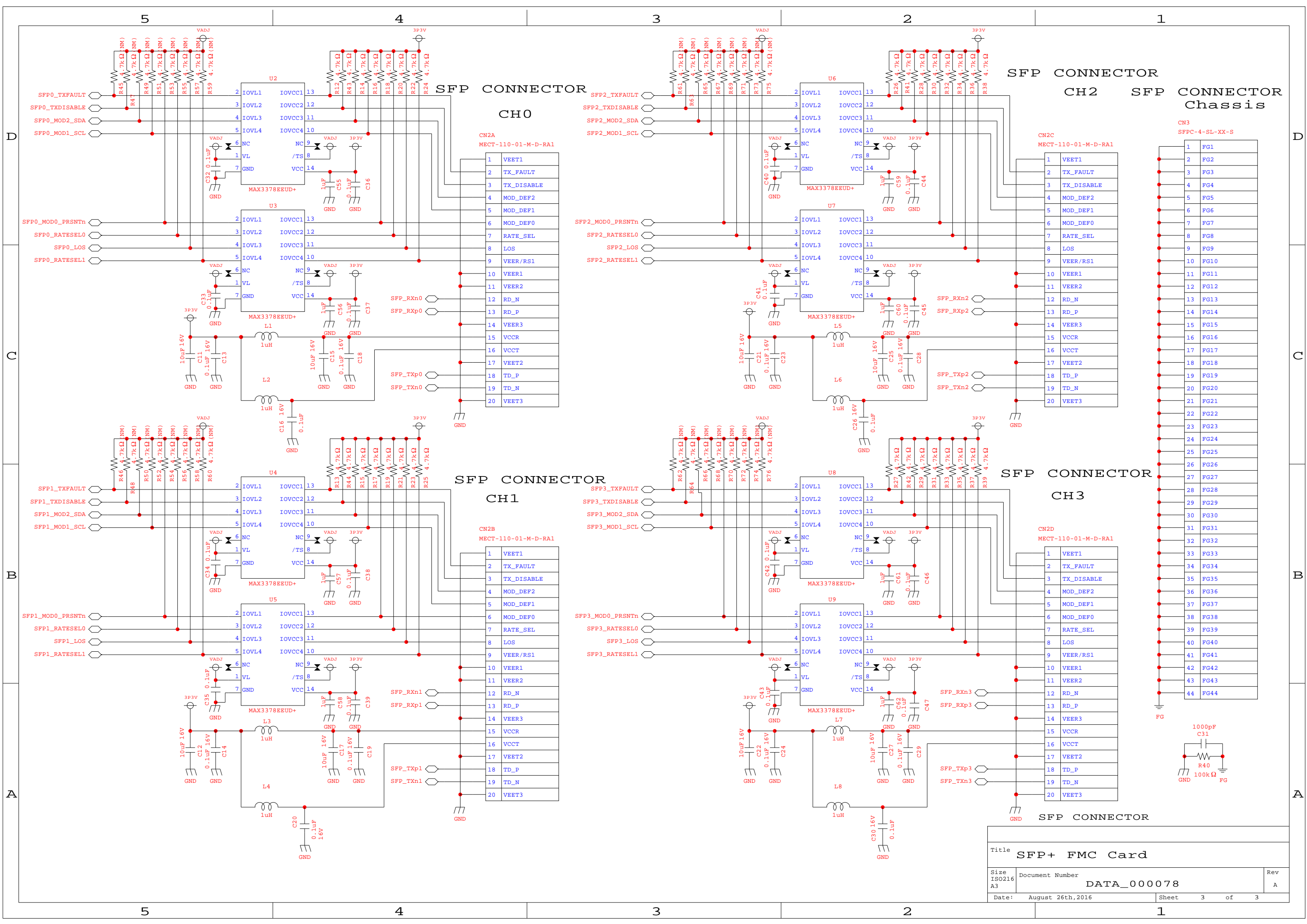
5

4

3

2

1



Title			SFP+ FMC Card		
Size	Document Number				Rev
ISO216	DATA_000078				A
A3					
Date:	August 26th, 2016	Sheet	3	of	3