

5

4

3

2

1

D

D

# SMP FMC Card

## PAGE DESCRIPTION

PAGE	DESCRIPTION
01	COVER PAGE ,TOP
02	FMC CONNECTOR
03	SMP in
04	SMP out
05	CLOCK in

C

C

B

B

A

A

COVER PAGE ,TOP

Title		
SMP FMC Card		
Size ISO216 A3	Document Number DATA_000082	Rev A
Date: August 26th, 2016	Sheet	1 of 5

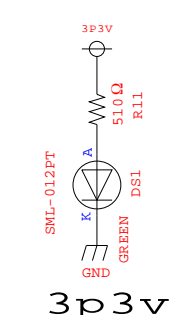
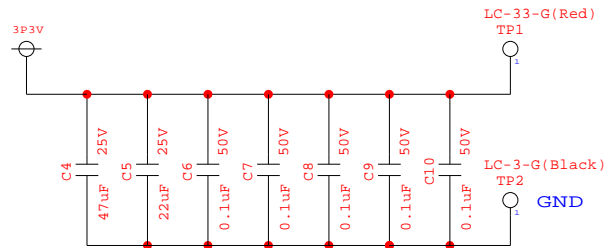
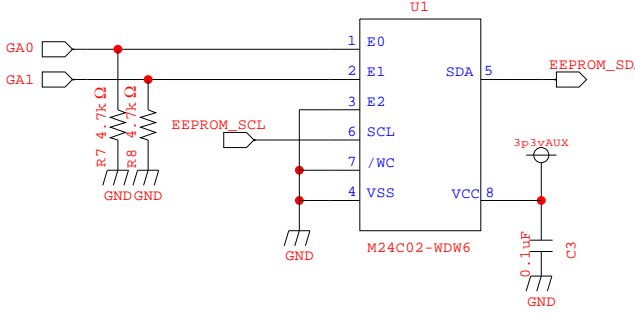
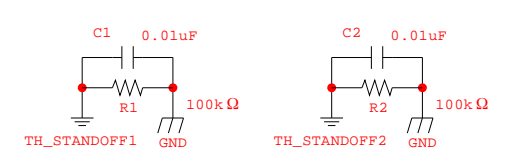
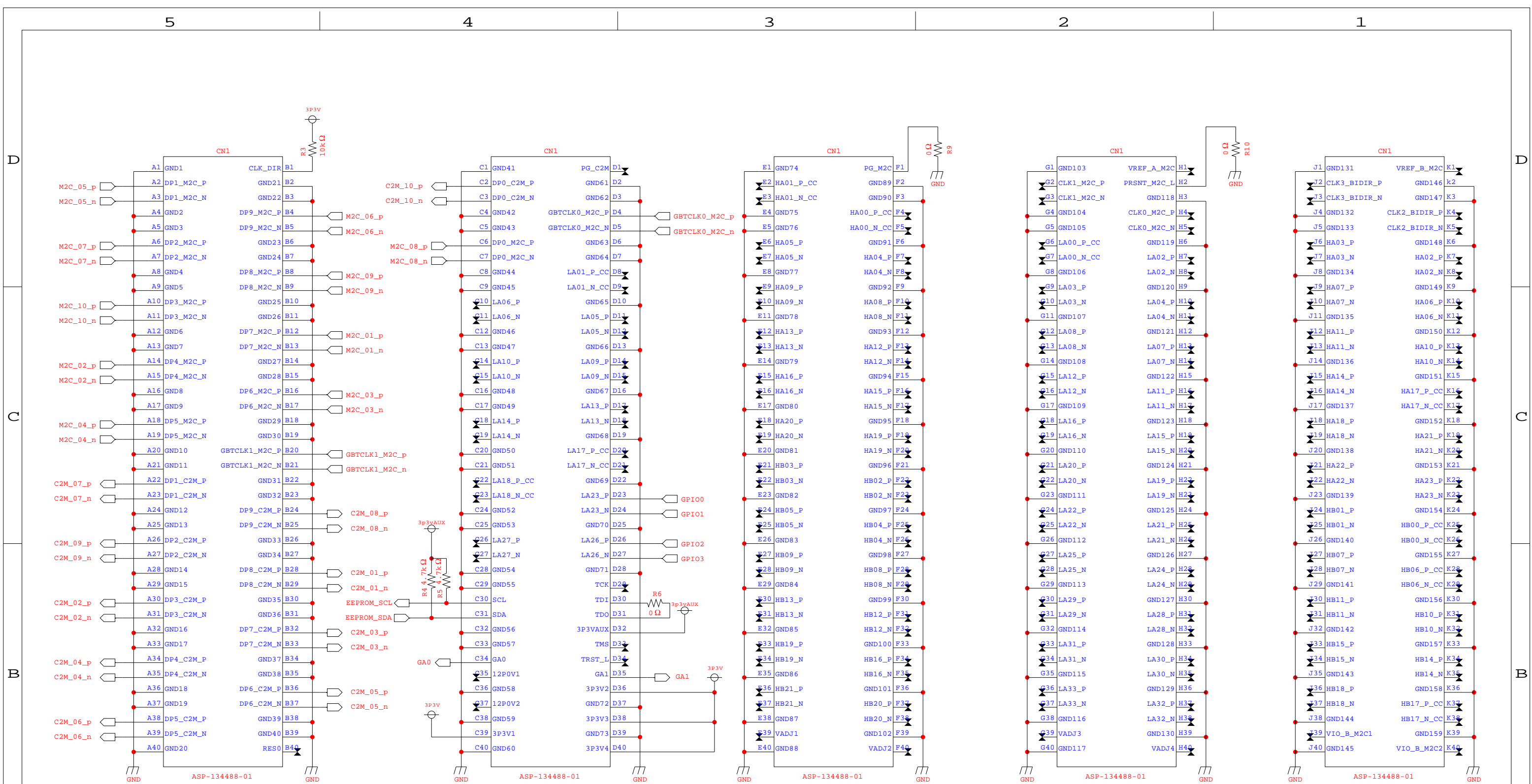
5

4

3

2

1



**FMC CONNECTOR**

Title		
SMP FMC Card		
Size	Document Number	Rev
ISO216	DATA_000082	A
Date: August 26th, 2016	Sheet	2 of 5

D

D

C

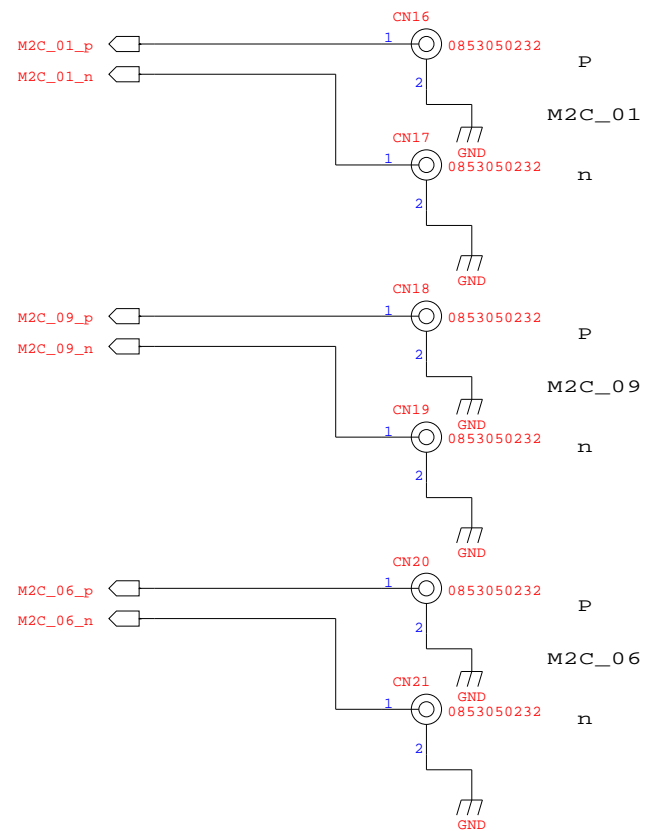
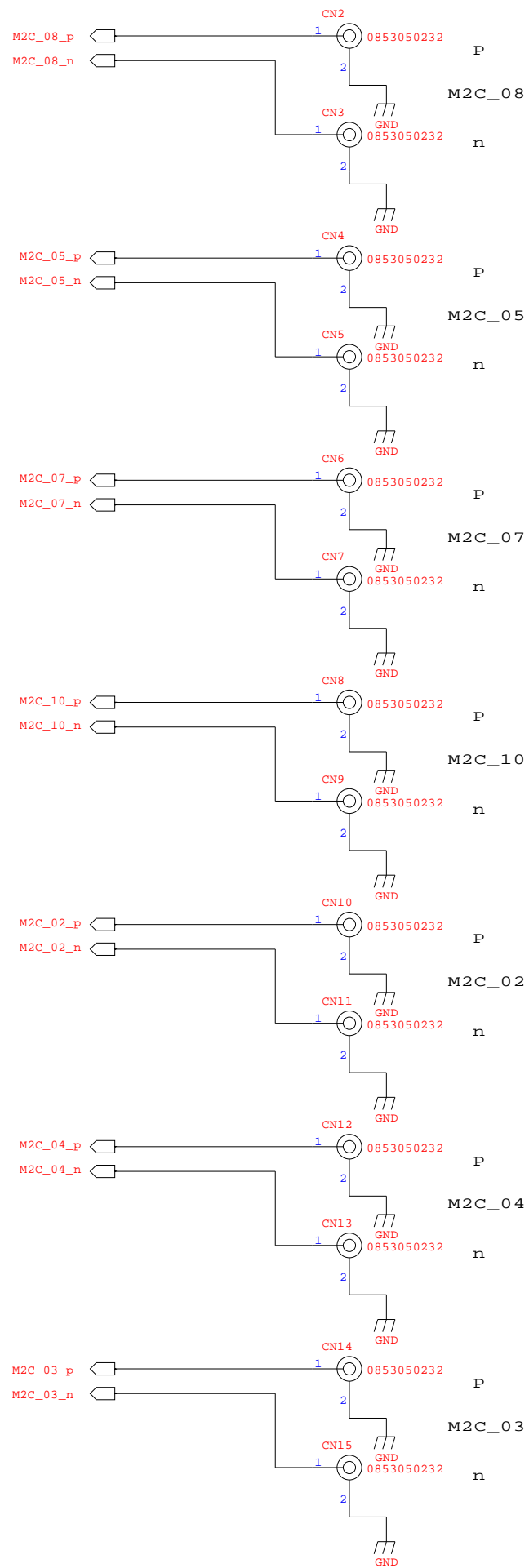
C

B

B

A

A



SMP in

Title		
SMP FMC Card		
Size ISO216 A3	Document Number DATA_000082	Rev A
Date: August 26th, 2016	Sheet 3 of 5	

D

D

C

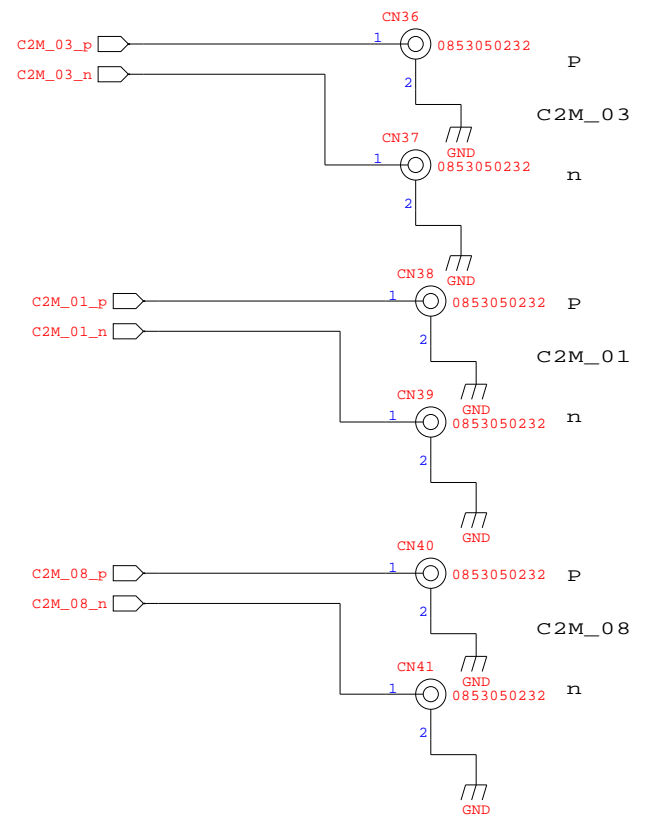
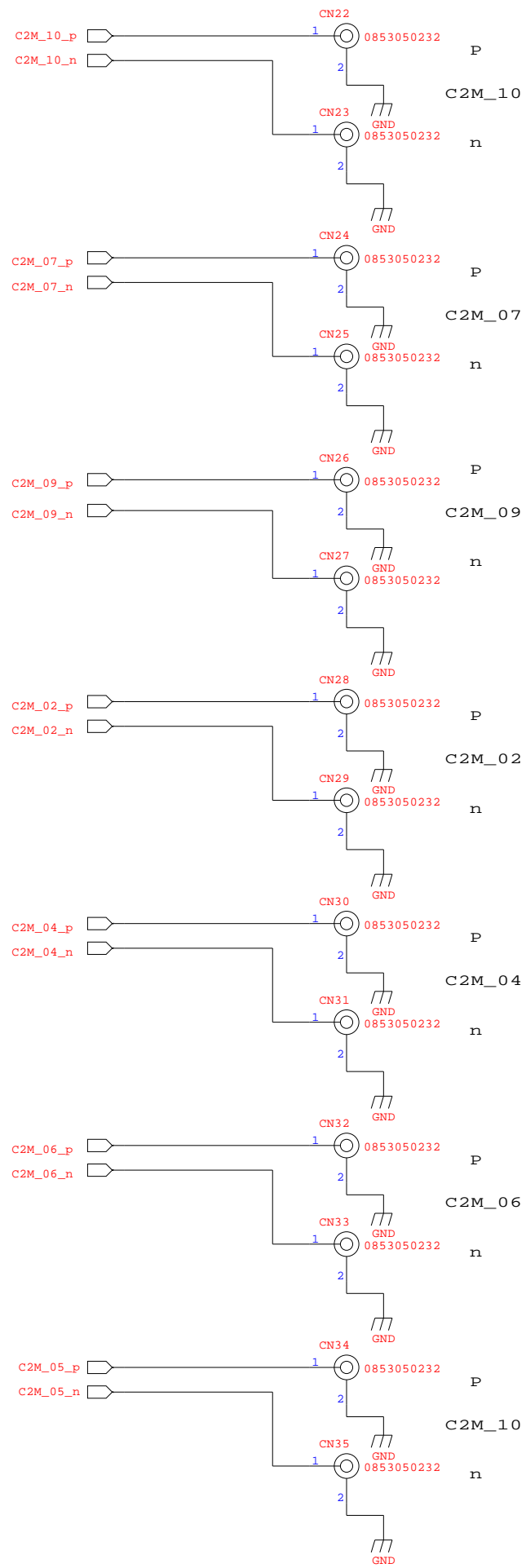
C

B

B

A

A



SMP out

Title		
SMP FMC Card		
Size ISO216 A3	Document Number DATA_000082	Rev A
Date: August 26th, 2016	Sheet 4 of 5	

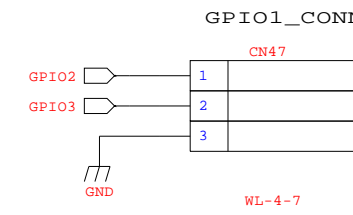
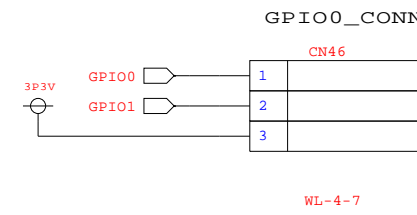
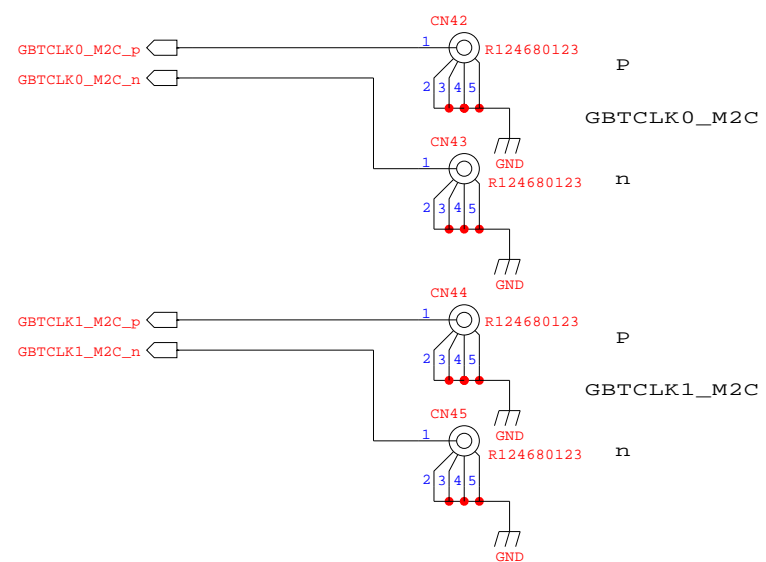
5

4

3

2

1



CLOCK IN

Title			SMP FMC Card		
Size	Document Number				Rev
ISO216	DATA_000082				A
A3	Date: August 26th, 2016				Sheet 5 of 5

5

4

3

2

1

D

D

C

C

B

B

A

A